



Gas Filled, Direct Drive Remote Thermometers

- **Stainless Steel Case**
- **Glass or Plexiglas Lens**
- **Satin Finish Aluminum Dial Face**
- **Accuracy $\pm 1\%$ of Range**
- **Micrometer Adjustable Pointer**
- **Nitrogen through Stainless Steel Direct Drive Bourdon Coil**
- **1/4" dia SS flexible or 3/16" dia SS smooth armor**



**Model 45GW
Wall Mount**



**45GC
Compression
Mount**

Ranges:

°C		°F	
-200	+100	-350	+150
-100	+100	-100	+100
-30	+60	-40	+200
-30	+120	-30	+120
-10	+150	0	+150
0	+100	0	+200
0	+200	0	+240
0	+300	0	+300
0	+400	0	+400
0	+600	0	+500
0	+650	0	+600
	C&F	0	+800
		0	+1200
		0	+1200
			F&C



**45GFF
Front Flange**

Ordering info:

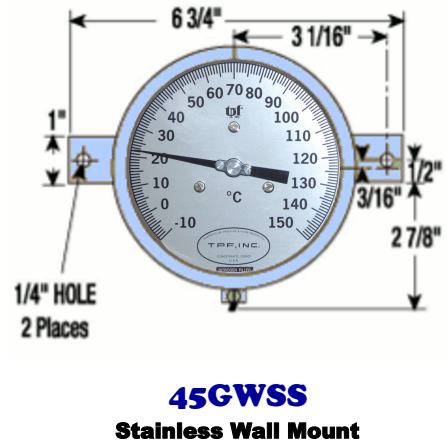
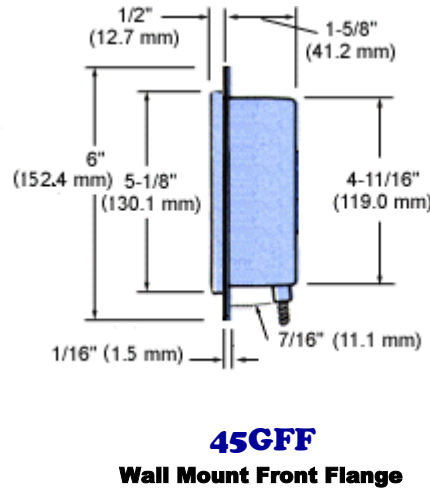
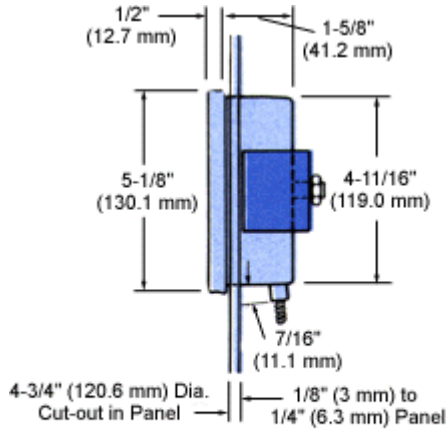
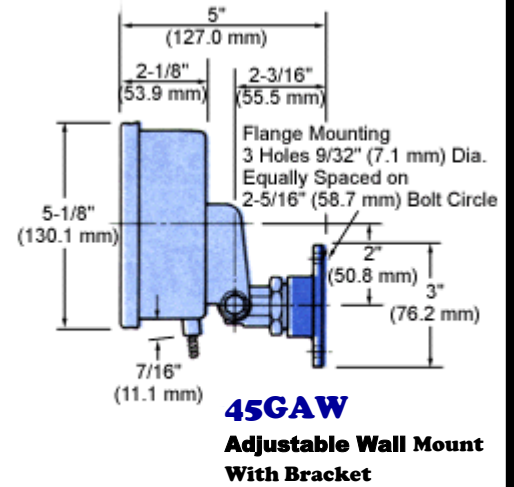
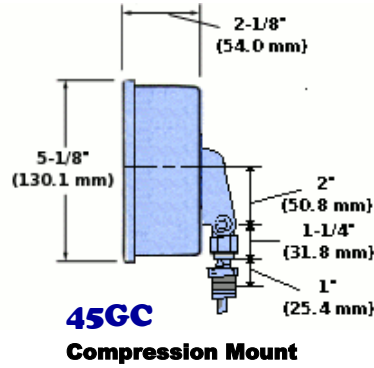
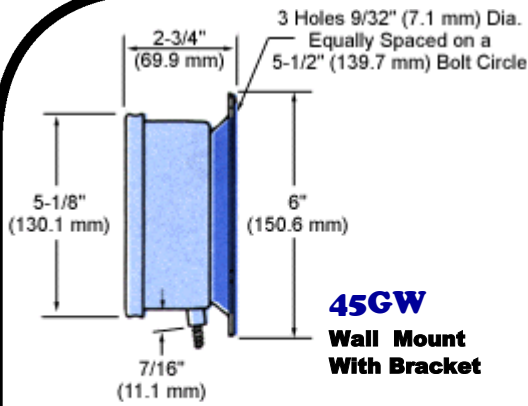
- **Quantity**
- **Model**
- **Range**
- **Bulb Type & Length**
- **Armor Type & Length**
- **Lens Material**
- **Well: Thread, Material & Type Number**



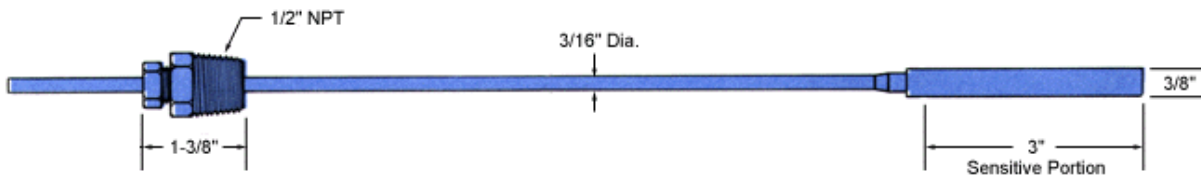
ISO 17025 Lab for testing thermometers & pressure gauges.



45GW 02-21



Bulbs



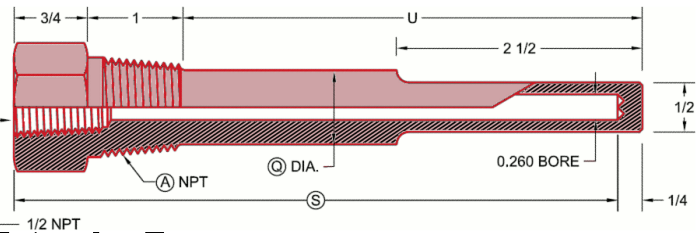
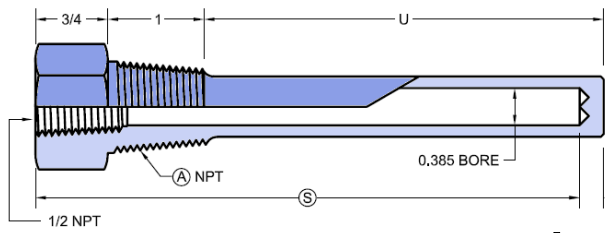
TPF, INC., warrants all instruments manufactured and sold by it to be free from defects in material or workmanship under normal use and service. The company agrees to repair or replace any instrument which its examination reveals to have been defective due to faulty workmanship or material, if returned to our factory, transportation charges prepaid, within one year of purchase date.
 RIGHTS RESERVED FOR DESIGN AND CONSTRUCTION CHANGES.



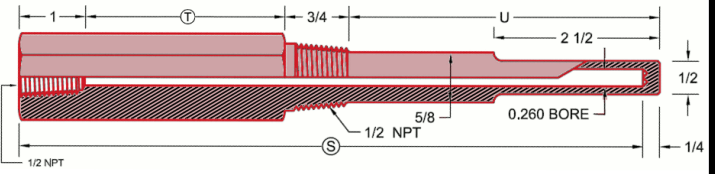
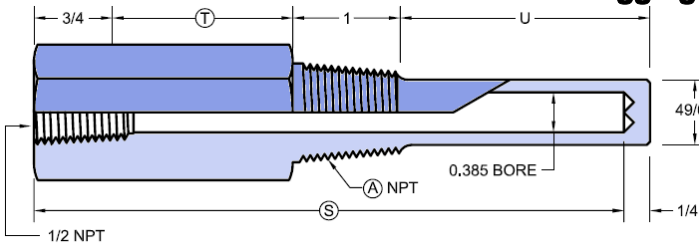
Wells

General Use

316 or 304 SS



Lagging Extension Type



External Thread (A)	TYPE NUMBER 3/8" GENERAL	TYPE NUMBER 3/8" LAGGING	TYPE NUMBER 1/4" GENERAL	TYPE NUMBER 1/4" LAGGING	Stem Length (S)
	N/A	N/A	260S-U 1 1/2	N/A	2 1/2
	385S-U 2 1/2	N/A	260S-U 2 1/2	260L-U 1 1/2	4
3/4" NPT	385S-U 4 1/2	385L-U 2 1/2	260S-U 4 1/2	260L-U 2 1/2	6
1" NPT	385S-U 7 1/2	385L-U 4 1/2	260S-U 7 1/2	260L-U 4 1/2	9
1/2" NPT	385S-U 10 1/2	385L-U 7 1/2	260S-U 10 1/2	260L-U 7 1/2	12
	385S-U 13 1/2	385L-U 10 1/2	260S-U 13 1/2	260L-U 10 1/2	15
	385S-U 16 1/2	385L-U 13 1/2	260S-U 16 1/2	260L-U 13 1/2	18
	385S-U 22 1/2	385L-U 19 1/2	260S-U 22 1/2	260L-U 19 1/2	24

Options



Electrical contacts

Contact Ratings

V	DC	AC	Inductive
220	100 mA	120 mA	65 mA
110	200 mA	240 mA	130 mA
48	300 mA	450 mA	200 mA
24	400 mA	600 mA	250 mA



Max follower hand



Max and Min follower hands



Hook & Handle
(Model 45GAW)

