



Liquid Filled 1/4" Stem Direct Drive Every Angle Dial Thermometers

Model 45LR

- ◆ Stainless Steel Case
- ◆ Satin Finish Aluminum Dial Face
- ◆ Glass or Plexiglas Lens
- ◆ Accuracy $\pm 1\%$ of Range
- ◆ Micrometer Adjustable Pointer
- ◆ Easy to Read
- ◆ Certification Available



Inert Liquid through
Stainless Steel
Direct Drive Bourdon Coil
(*High Temp = Nitrogen)

Ranges:
°F

- 350 +150
- 100 +100
- 40 +200
- 40 +120
- 30 +120
- 0 +100
- 0 +100 (by 1/2')
- 25 +125
- 0 +150
- 0 +200
- 0 +240
- 0 +300
- 0 +400
- 0 +500*
- 0 +600*
- 0 +800*
- 0 +1200*
- 0 +1200* F&C

°C

- 200 +100
- 100 +100
- 40 +200
- 30 +60
- 10 +80
- 10 +150
- 0 +100
- 0 +200
- 0 +240
- 0 +300*
- 0 +400*
- 0 +500*
- 0 +600*
- 0 +650* C&F

Model 45LR



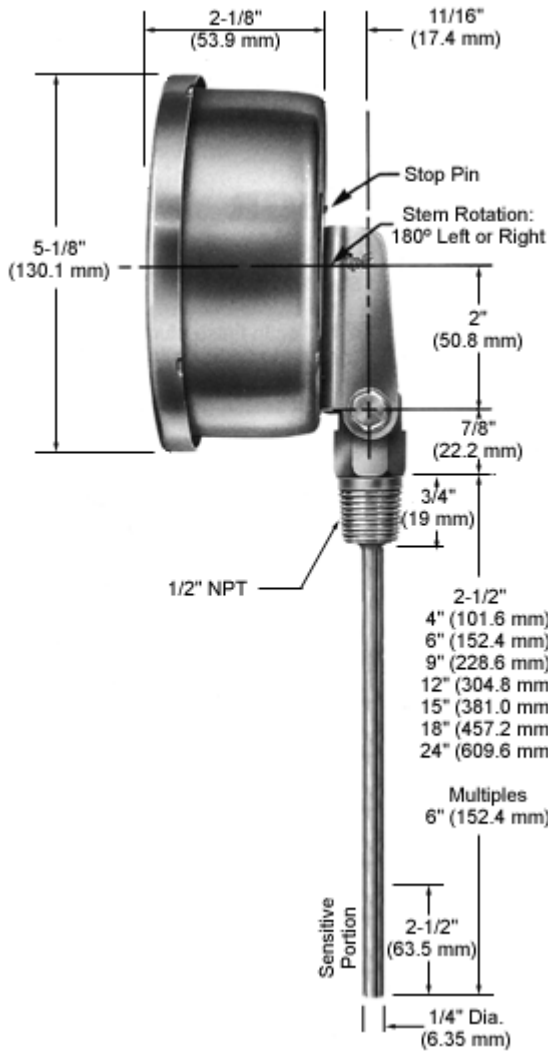
ISO 17025 Lab for testing thermometers & pressure gauges.
45LR 02-21

Ordering Info

- ◆ Quantity
- ◆ Model
- ◆ Range (°C / °F)
- ◆ Stem Length



Specifications



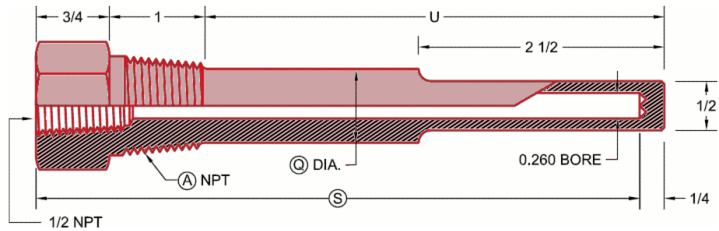
To Order Wells Specify:

- ◆ Quantity
- ◆ 3/4", 1", or 1/2" NPT Process
- ◆ Type Number
- ◆ Material: 316SS or 304SS

TPF, INC., warrants all instruments manufactured and sold by it to be free from defects in material or workmanship under normal use and service. The company agrees to repair or replace any instrument which its examination reveals to have been defective due to faulty workmanship or material, if returned to our factory, transportation charges prepaid, within one year of purchase date.
RIGHTS RESERVED FOR DESIGN AND CONSTRUCTION CHANGES.

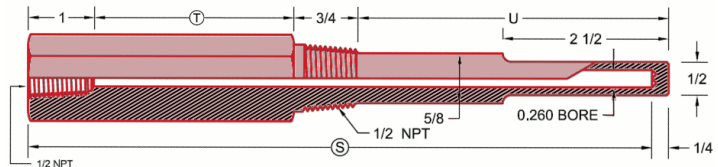
Wells

General Use



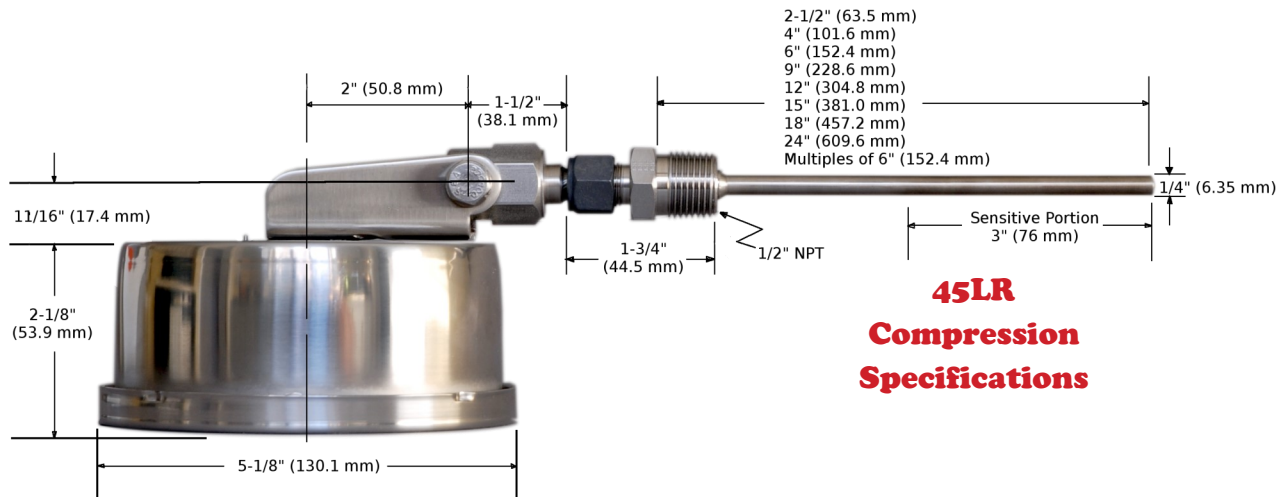
External Thread (A)	TYPE NUMBER	Stem Length (S)
3/4" NPT 1" NPT 1/2" NPT	260S-U 1 1/2	2 1/2
	260S-U 2 1/2	4
	260S-U 4 1/2	6
	260S-U 7 1/2	9
	260S-U 10 1/2	12
	260S-U 13 1/2	15
	260S-U 16 1/2	18
	260S-U 22 1/2	24

Lagging Extension Type



External Thread (A)	TYPE NUMBER	Stem Length (S)
3/4" NPT 1" NPT 1/2" NPT	260L-U 1 1/2	4
	260L-U 2 1/2	6
	260L-U 4 1/2	9
	260L-U 7 1/2	12
	260L-U 10 1/2	15
	260L-U 13 1/2	18
	260L-U 19 1/2	24





**45LR
 Compression
 Specifications**

Options



Max follower hand



Max and Min follower hands



Electrical contacts

Contact Ratings

V	DC	AC	Inductive
220	100 mA	120 mA	65 mA
110	200 mA	240 mA	130 mA
48	300 mA	450 mA	200 mA
24	400 mA	600 mA	250 mA

Hook & Handle

