



# Gas Filled Industrial Direct Drive Dial Thermometers

- **Stainless Steel Case**
- **1/4" Flexible SS Armor**
- **Satin Finish Aluminum Dial Face**
- **Glass or Plexiglas Lens**
- **Accuracy ±1% of Range**
- **Easy to Read**



**Model 45MRGW  
Remote**



**Model  
45MRG**

**Ranges:**  
°F                      °C

-350	+150	-200	+100
-100	+100	-100	+100
-40	+200	-30	+60
-30	+120	-10	+150
0	+150	0	+100
0	+200	0	+200
0	+240	0	+300
0	+300	0	+400
0	+400	0	+600
0	+500	0	+600
0	+600	C&F	+600
0	+800		
0	+1200		
0	+1250	F&C	



**Model  
45MRGFF  
Front Flange**

- Ordering Info**
- Quantity
  - Model
  - Range (°F / °C)
  - Stem Length
  - Armor Length
  - Bulb
  - Well

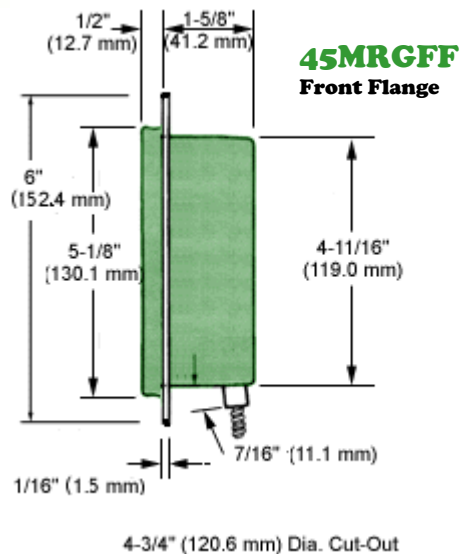
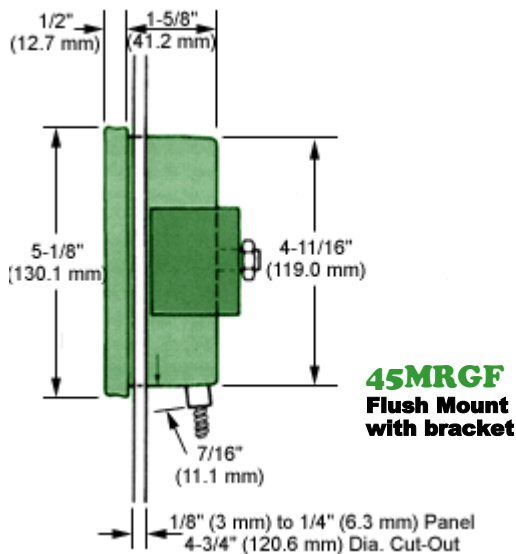
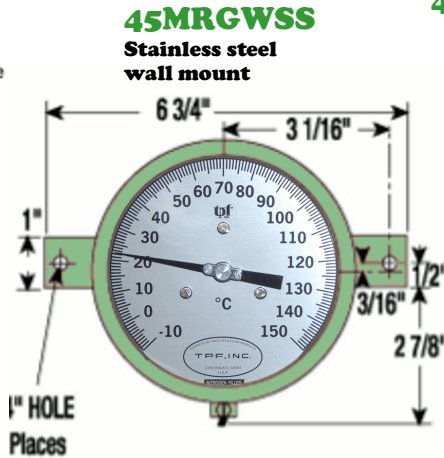
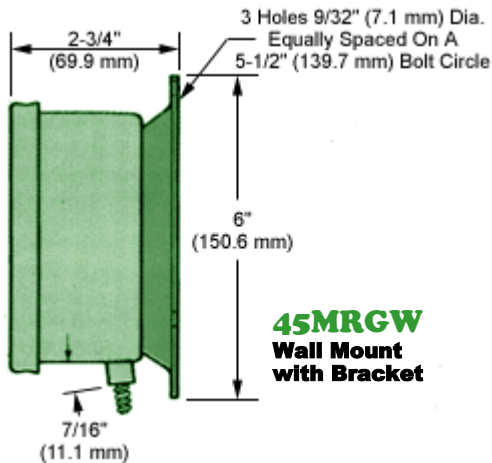
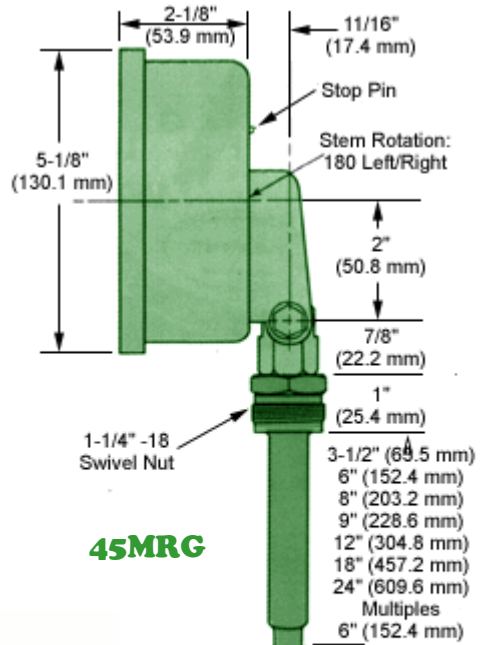
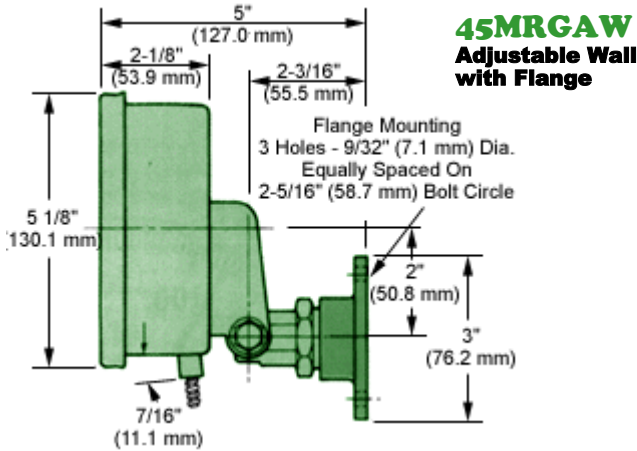


ISO 17025 Lab for testing  
thermometers & pressure gauges.



45MRG 02-21

# Specifications



TPF, INC., warrants all instruments manufactured and sold by it to be free from defects in material or workmanship under normal use and service. The company agrees to repair or replace any instrument which its examination reveals to have been defective due to faulty workmanship or material, if returned to our factory, transportation charges prepaid, within one year of purchase date.  
RIGHTS RESERVED FOR DESIGN AND CONSTRUCTION CHANGES.

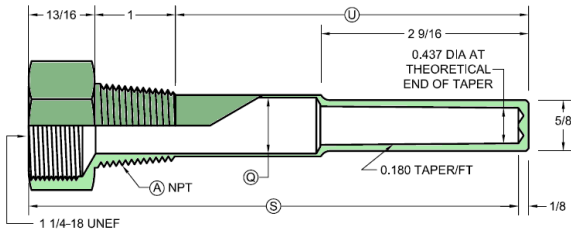


# Wells

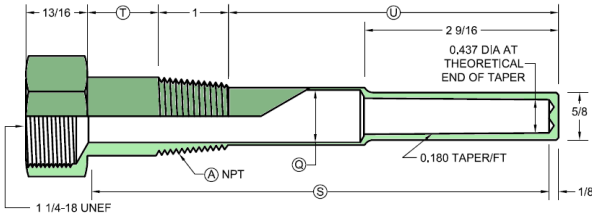
General Use

## To Order Wells Specify:

- **Quantity**
- **3/4", 1", or 1/2" NPT Process**
- **Type Number**
- **Material: 316SS or 304SS**

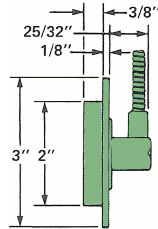


Lagging Extension Type

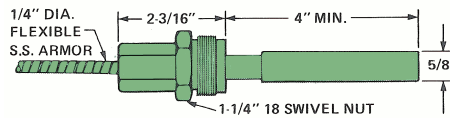


External Thread (A)	Type Number General Use	Type Number Lagging	Nominal Bulb Length (S)
3/4" NPT 1" NPT 1/2" NPT	445S S3 1/2	N/A	3 1/2
	445S S6	445L S6E	6
	445S S8	445L S8E	8
	445S S9	445L S9E	9
	445S S12	445L S12E	12
	445S S18	445L S18E	18
	445S S24	445L S24E	24

## Options



**M6/M6A** Dough Bulb



**M7** Industrial Straight Bulb



**Max follower hand**



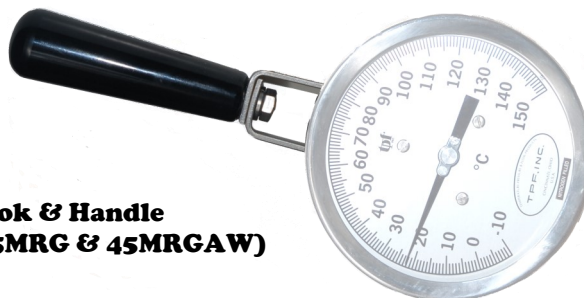
**Max and Min follower hands**



**Electrical contacts**

### Contact Ratings

V	DC	AC	Inductive
220	100 mA	120 mA	65 mA
110	200 mA	240 mA	130 mA
48	300 mA	450 mA	200 mA
24	400 mA	600 mA	250 mA



**Hook & Handle  
(45MRG & 45MRGAW)**

